



PS50-10B

Air Drive Plier



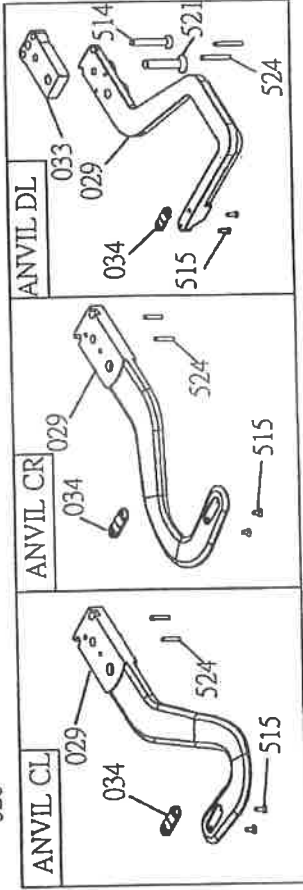
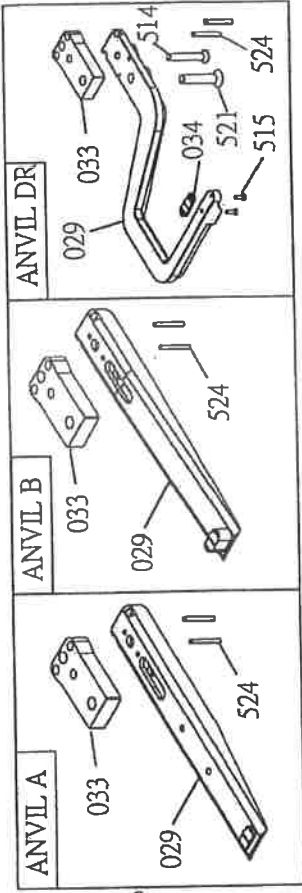
OPERATING & MAINTENANCE MANUAL



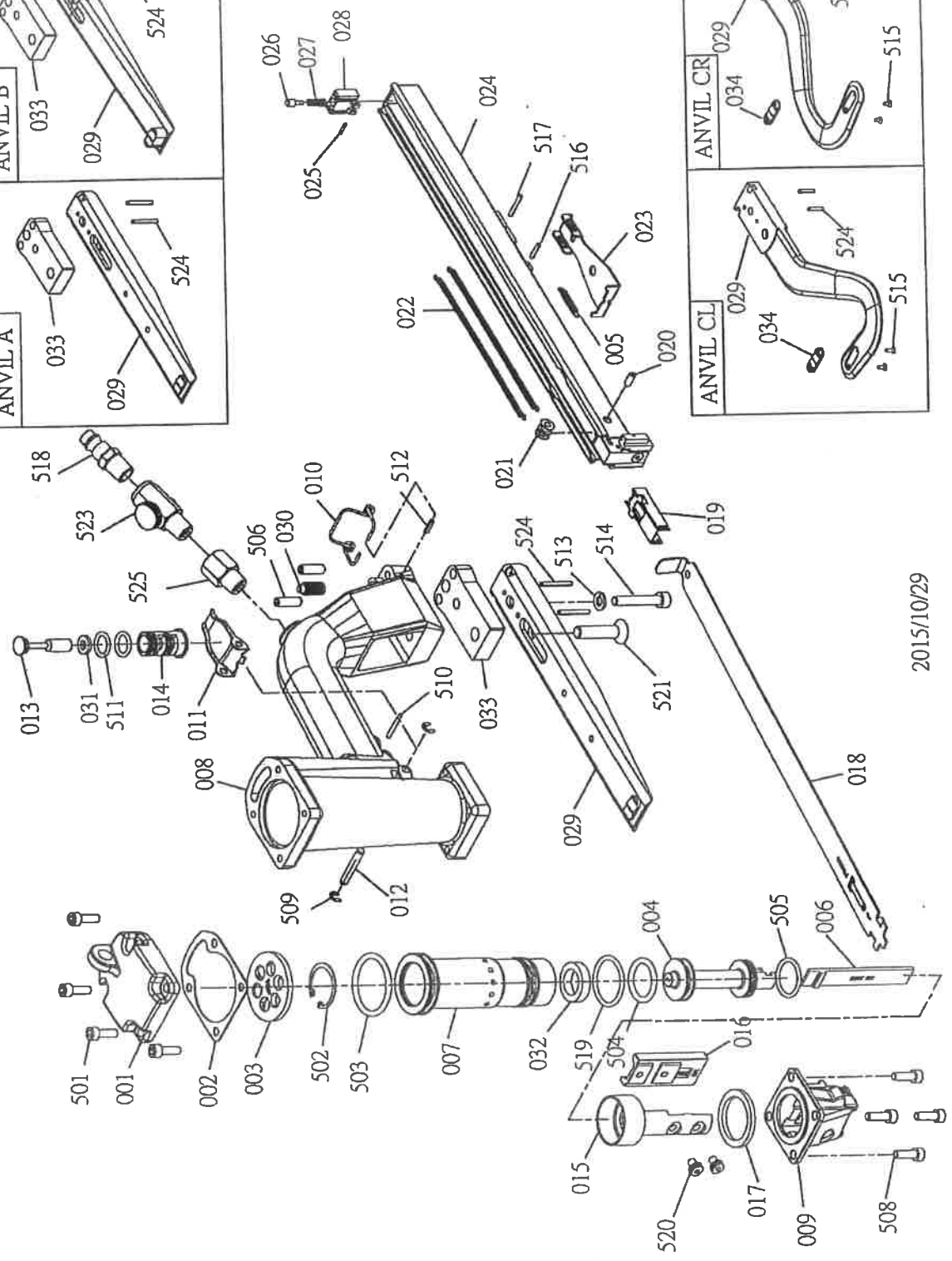
WARNING

BEFORE USING THIS TOOL, STUDY THIS MANUAL TO ENSURE SAFETY WARNING AND INSTRUCTIONS.

KEEP THESE INSTRUCTIONS WITH THE TOOL FOR FUTURE REFERENCE.



PS50



2015/10/29

MODEL:

Item	Parts NO	Description	Qty	Spec.	Item	Parts NO	Description	Qty	Spec.
001	A05500101	CAP	1		028	A05502101	BLOCK	1	
002	A05500201	PACKING	1			A12400301	BLOCK	1	777&779 series
003	A05500301	BUMPER	1		029	A05503001A	ANVIL A	1	
004	A05500401	DRIVER PISTON	1		029	A12400701A	ANVIL A	1	777&779 series
005	A05500501	SPRING	1		029	A05503201A	ANVIL B	1	
	A05500601	DRIVER	1	10B series	029	A12401301A	ANVIL B	1	777&779 series
	A07500201	DRIVER	1	5B series	029	A05503101	ANVIL CL	1	
006	A10300301	DRIVER	1	5A series	029	A05504701	ANVIL CR	1	
	A12400102	DRIVER	1	777 series	029	A05504801	ANVIL DR	1	
	A12500102	DRIVER	1	779 series	029	A05505001	ANVIL DL	1	
007	A05500701	CYLINDER	1		030	A05504101	ROD	1	
008	A05500803A	BODY SET UNIT	1	1/4"-18NPT	031	A05504201	SEAL	1	
009	A05500902	GUIDE	1		032	A05504401	PROTECT WASHER	1	
010	A05501001	SPRING	1		033	A05504601	SPACER	1	
011	A05501101	TRIGGER	1		034	A12401201	ANVIL C-1	1	For Anvils A, B Anvil CL, CR, DR, DL Anvil CL, CR, DR, DL (777&779)
012	A05501201	ROD	1		501	BAC0605202	HEX SOC. HD. BLOT	4	M5x0.8-20
013	A05501301	VALVE	1		502	BAF22802	C-RING	1	ø28
014	A05501401	TUBE	1		503	BAR035337	O-RING	1	P34
015	A05501501	SLEEVE	1		504	BAR035214	O-RING	1	ø3.5x21.4
	A05501601	DRIVER GUIDE	1	10B series	505	BAR024208	O-RING	1	P21
	A07500101	DRIVER GUIDE	1	5B series	506	BAC0306252	HEX SOC. HDLESS	2	M6x1-25(Anvil A, B, DR, DL)
	A10300101	DRIVER GUIDE	1	5A series	506	BAC0306162	HEX SOC. HDLESS	2	M6x1-16(Anvil CL, CR)
	A05501602	DRIVER GUIDE	1	10B-10 series	508	BAC0605142	HEX SOC. HD. BLOT	4	M5x0.8-14
	A07500102	DRIVER GUIDE	1	5B-10 series	509	BAF10402	E-RING	2	ø4
	A10300102	DRIVER GUIDE	1	5A-10 series	510	BAA025018	SPRING PIN	1	ø2.5x18
016	A12400202	DRIVER GUIDE	1	777 series	511	BAR024118	O-RING	2	ø2.4x11.8
	A12500202	DRIVER GUIDE	1	779 series	512	BAA030010	SPRING PIN	2	ø3x10
	A12400203	DRIVER GUIDE	1	777-10 series	513	BAF01062	SPRING WASHER	1	M6
	A12500203	DRIVER GUIDE	1	779-10 series	514	BAC0606352	HEX SOC. HD. BLOT	1	M6x1-35(Anvil A, B)
	A05501603	DRIVER GUIDE	1	10B-6 series		BAC0406202	HEX SOC. HD. BLOT	1	M6x1-40(Anvil CL, CR)
	A07500104	DRIVER GUIDE	1	5B-6 series		BAC0206402	HEX SOC. FLAT COUNTER SUNK HD. SCREW	1	M6x1-40 (Anvil DR, DL)
	A10300104	DRIVER GUIDE	1	5A-6 series		BAC0203062	HEX SOC. FLAT COUNTER	2	M3x0.5-6 (Anvil CL, CR)
	A12400204	DRIVER GUIDE	1	777-6 series		BAC0203102	SUNK HD. SCREW	2	M3x0.5-10 (Anvil DL, DR)
	A12500204	DRIVER GUIDE	1	779-6 series		BAA025012	SPRING PIN	1	ø2.5x12
017	A05501701	BUMPER	1			BAA025018	SPRING PIN	1	ø2.5x18
018	A05501902A	COVER UNIT	1			A00100801	AIR PLUG	1	Japanese Type
	A05502401	PUSHER	1	777&779 series		A00100802	AIR PLUG	1	U.S.A Type
019	A12400401	PUSHER	1	10B-6mm, 5B-6mm, 5A-6mm		A00100803	AIR PLUG	1	European Type
	A05502402	PUSHER	1	777-6&779-6 series		BAR026282	O-RING	1	ø2.62xø28.25
	A12400402	PUSHER	1	777&779 series		BAC0605073	HEX SOC. HD. BLOT	2	M5x0.8-7
020	A05502601	ROD	1		519	BAF026282	HEX SOC. FLAT COUNTER	1	M8x1.25-35 (Anvil A, B)
	A12400601	ROLLER	1	777&779 series	520	A05505701	SUNK HD. SCREW	1	M8x1.25-20 (Anvil A, B)
021	A05502501	ROLLER	1			A05505601	HEX SOC. FLAT COUNTER	1	M8x1.25-40 (Anvil CL, CR)
	A12400501	ROLLER	1	777&779 series		A05505801	SUNK HD. SCREW	1	M8x1.25-40 (Anvil DL, DR)
022	A05502301	SPRING	2			BA10404	REGULATOR	1	1/4"PT
023	A05502701	MAGAZINE CLAMP	1		521	BAA030024	SPRING PIN	2	ø3x24(Anvil A, B)
	A05503401A	MAGAZINE SET	1	10B, 5B series		BAA030014	SPRING PIN	2	ø3x14(Anvil CL, CR)
	A10300201A	MAGAZINE SET	1	5A series		BAA030022	SPRING PIN	2	ø3x22(Anvil DL, DR)
	A12400901A	MAGAZINE SET	1	777&779 series		BA11305	AIR PLUG ADAPTOR	1	1/4"-18NPT→1/4"19PT
024	A05503402A	MAGAZINE SET	1	10B-6, 5B-6 series					
	A10300202A	MAGAZINE SET	1	5A-6 series					
	A12400902A	MAGAZINE SET	1	777-6&779-6 series					
	A05502201	ROD	1	777&779 series					
025	A12401101	ROD	1						
026	A05502001	ROD	1						
027	A05504001	SPRING	1						